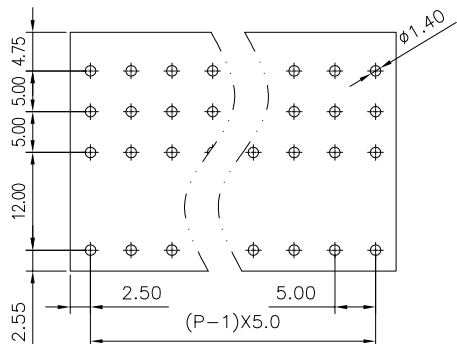
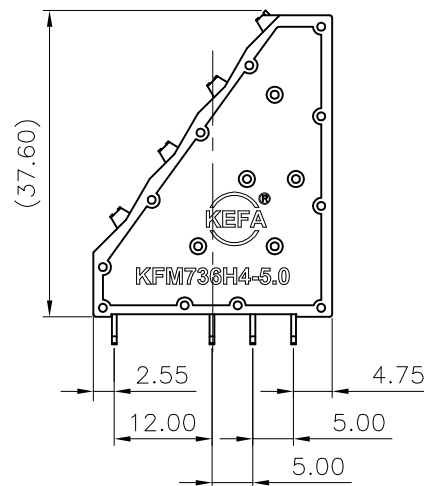
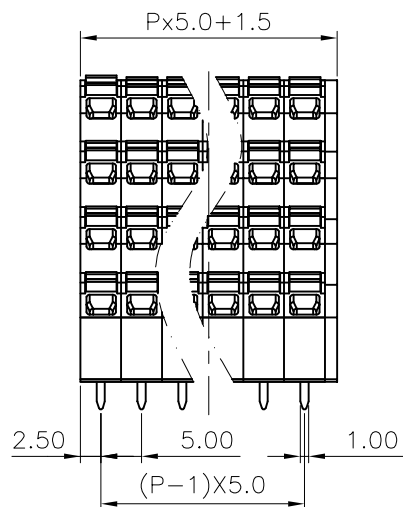
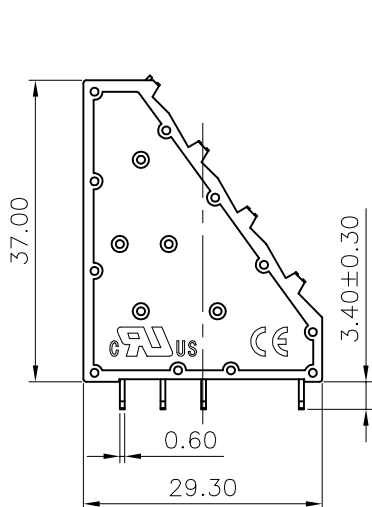
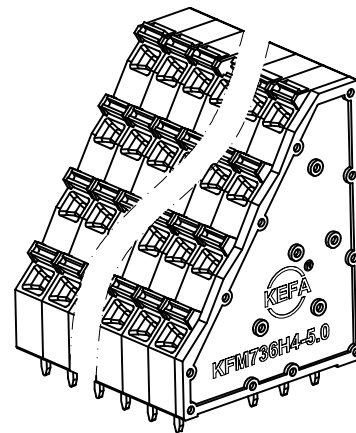
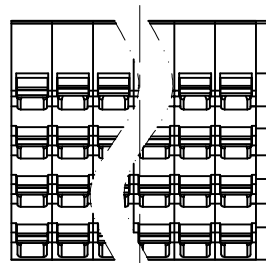


linear dimension(Tolerances Standard GB/T 14486-2008)							—	\square	\perp	
variable range	to	over	over	over	over	over	to	over	over	
	6	6 to 10	10 to 30	30 to 60	60 to 100	100 to 160	to 10	to 100	to 100	
tolerance	± 0.20	± 0.30	± 0.50	± 0.70	± 1.00	± 1.30	± 1.60	0.10	0.30	0.60



PCB LAYOUT



UL/CUL 技术参数		UL/CUL Technical Data		
等级	Use Group	B	C	D
额定电压	Rated Voltage [V]	300	/	300
额定电流	Rated Current [A]	10	/	10
接线范围	Wire Range	28-16		
单/多芯线	Solid/Stranded [AWG]			
耐电压	Withstanding Voltage	1600V/ 1 min		
IEC 技术参数		IEC Technical Data		
过电压类别	Overtoltage Category	III	III	II
污染等级	Contamination Class	3	2	2
额定电压	Rated Voltage [V]	250	400	500
额定电流	Rated Current [A]	15	15	15
额定冲击电压	Impulse withstand voltagea [kV]	4	4	4
导线截面积	Conductor cross section	0.2-1.5		
硬质/柔性导线	Solid/ flexible [mm²]			
材料		Material		
绝缘材料	Insulation Material	PA66		
阻燃等级	Imflammability	UL94V-0		
导体材料	Contactior Material	铜合金 Copper alloy		
导体表面镀层	Contactive Coating	镀锡 Tin Plated		
一般参数		Other Data		
间距	Pitch [mm]	5.0		
极数	Poles [P]	4*(1~XXP)		
剥线长度	Stripping Length [mm]	8 ~ 9		
螺丝	Screw/扭矩 Torque(Max) [N.m]	/		
工作温度	Operating temperatur [°C]	-40°C ~ +105°C		
引针尺寸	Pin Dimensions [mm]	3.4		
PCB板孔径	PCB Hole Diameter [mm]	1.3		

REV.	DESCRIPTION	ECN No.	APPROVED	DATE
	新发行			
REVISION RECORD				

DES.	CHK	DATE	2024.05.28	单位 / UNITS	mm	尺寸 / SIZE	A4	比例 / SCALE	1:1
CHK.	CLF	DATE	2024.05.28						
APP.	HDK	DATE	2024.05.28						



慈溪市科发电子有限公司
CIXI KEFA ELECTRONICS CO., LTD

第三视角 / THIRD ANGLE PROJECTION		版本 / REV	A
名称 / TITLE	KFM736H4-5.0-4*XXP 黑色		