
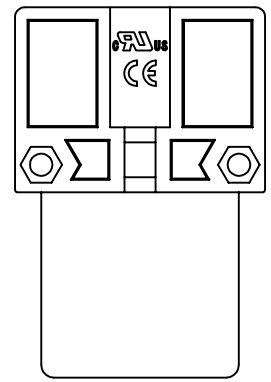
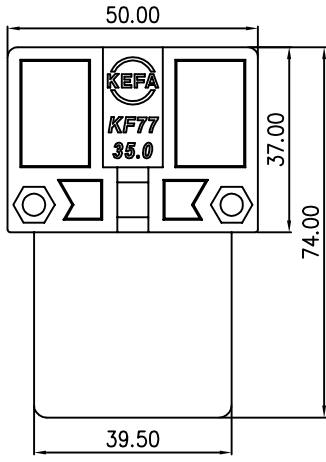
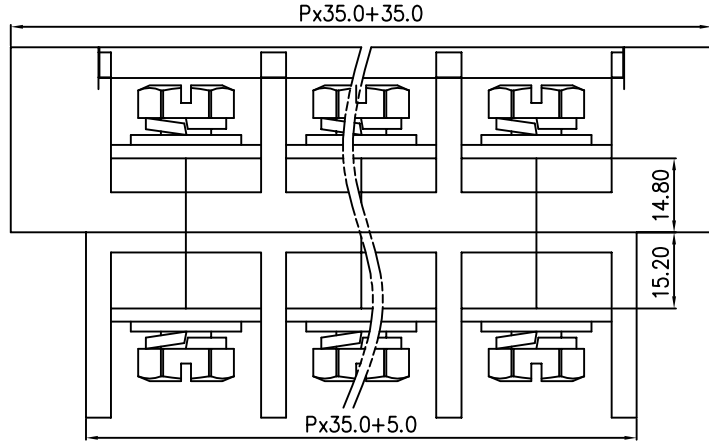
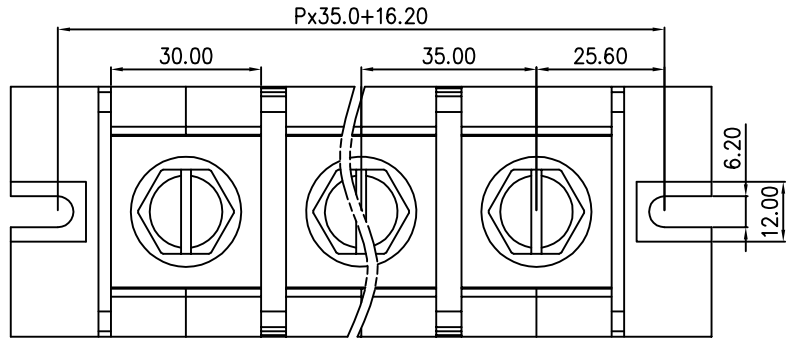
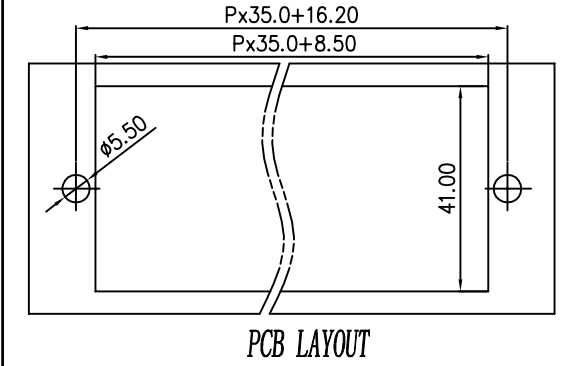


linear dimension(Tolerances Standard GB/T 14486-2008)								— 		
variable range	to	over	over	over	over	over	over	to	over	over
	6	6 to 10	10 to 30	30 to 60	60 to 100	100 to 160	160 to 10	10 to 100	100 to 100	100 to 100
tolerance	±0.20	±0.30	±0.50	±0.70	±1.00	±1.30	±1.60	0.10	0.30	0.60

REVISION RECORD				
REV.	DESCRIPTION	ECN No.	APPROVED	DATE
A	新发行		CLF	24.05.17



UL/CUL 技术参数 UL/CUL Technical Data							
等级	Use Group	B	C	D			
额定电压	Rated Voltage [V]	600	-	-			
额定电流	Rated Current [A]	300	-	-			
接线范围	Wire Range				3/0-500		
单/多芯线	Solid/Stranded [AWG]						
IEC 技术参数 IEC Technical Data							
额定电压	Rated Voltage [V]				1000		
额定电流	Rated Current [A]				300		
耐电压	Withstanding Voltage				3500V/1Min		
导线截面积	Conductor cross section				150.0		
硬质/柔性导线	Solid/flexible [mm ²]						
材料 Material							
绝缘材料	Insulation Material				PBT		
阻燃等级	Inflammability				UL94V-0		
导体材料	Contacting Material				铜合金 Copper alloy		
导体表面镀层	Contactive Coating				镀镍 Ni plating		
一般参数 Other Data							
间距	Pitch [mm]				35.0		
极数	Poles [P]				1-15		
剥线长度	Stripping Length [mm]				-		
螺丝	Screw/扭矩 Torque(Max) [N.m]				M10/10.2		
工作温度	Operating temperatur [°C]				-30~+120		
引针尺寸	Pin Dimensions [mm]				-		
PCB板孔径	PCB Hole Diameter [mm]				-		

DES.	LQQ	DATE	24.05.17	单位/UNITS	mm	尺寸/SIZE	A4	比例/SCALE	1:1	第三视角/THIRD ANGLE PROJECTION	版本/REV	A
CHK.	BY	DATE	24.05.17	 慈溪市科发电子有限公司 CIXI KEFA ELECTRONICS CO., LTD				名称/TITLE	KF77S-35.0			
APP.	CLF	DATE	24.05.17									