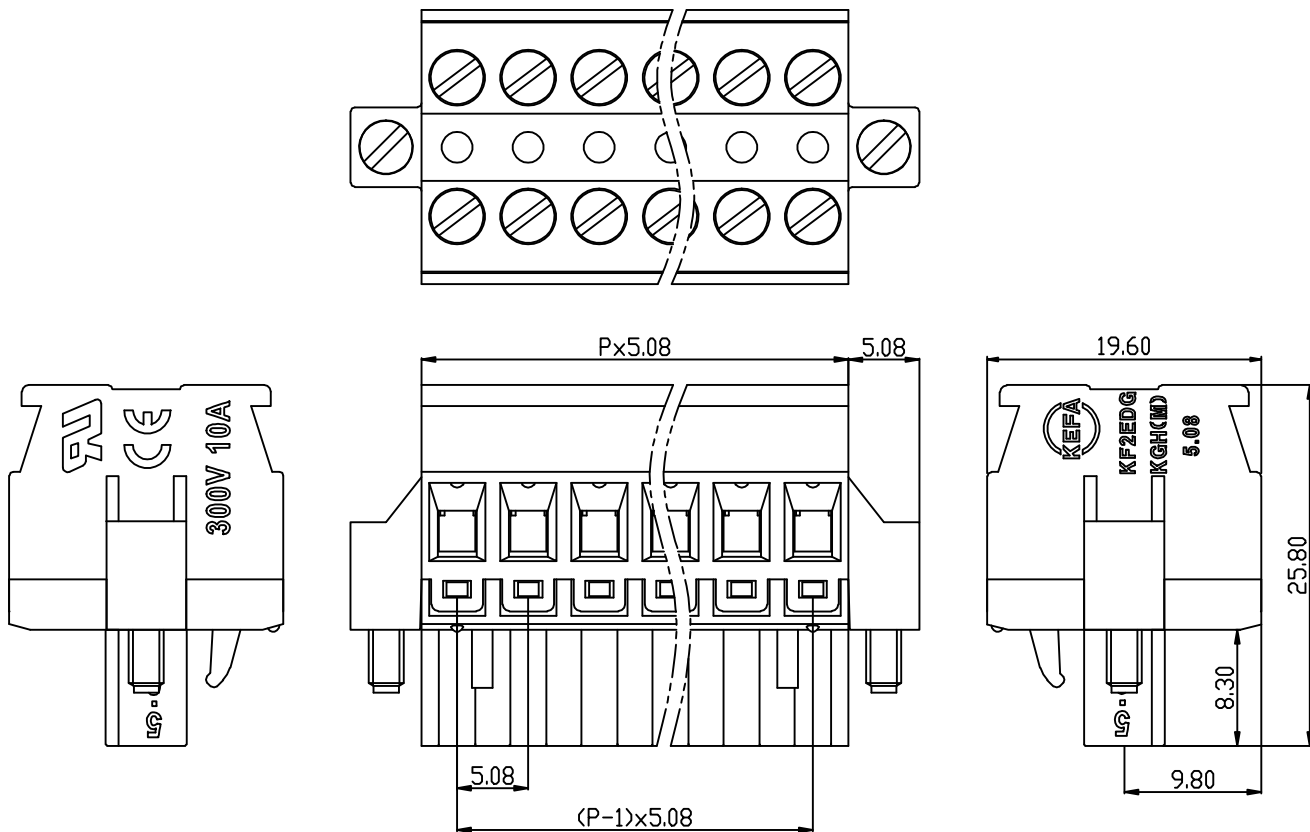


linear dimension(Tolerances Standard GB/T 14486-2008)								—	$\square$	$\perp$
variable range	to 6	over 6 to 10	over 10 to 30	over 30 to 60	over 60 to 100	over 100 to 160	over 160 to	to 10	over 10 to 100	over 100 to
tolerance	±0.20	±0.30	±0.50	±0.70	±1.00	±1.30	±1.60	0.10	0.30	0.60

REVISION RECORD				
REV.	DESCRIPTION	ECN No.	APPROVED	DATE
A	新发行		CLF	21.03.13

UL/CUL 技术参数				
UL/CUL Technical Data				
等级 Use Group		B	C	D
额定电压 Rated Voltage [V]		300	-	300
额定电流 Rated Current [A]		10	-	10
接线范围 Wire Range		24-12		
单/多芯线 Solid/Stranded [AWG]				
耐电压 Withstanding Voltage		1800V/1Min		
IEC 技术参数				
IEC Technical Data				
过电压类别 Overvoltage Category		III	III	II
污染等级 Contamination Class		3	2	2
额定电压 Rated Voltage [V]		-	320	630
额定电流 Rated Current [A]		-	15	15
额定冲击电压 Impulse withstand voltages [KV]		-	4.0	4.0
导线横面积 Conductor cross section		2.5		
硬质/柔性导线 Solid/flexible [mm <sup>2</sup> ]				
材料 Material				
绝缘材料 Insulation Material		PA66		
阻燃等级 Inflammability		UL94V-0		
导体材料 Contacting Material		铜合金 Copper alloy		
导体表面镀层 Contactive Coating		镀镍 Ni plating		
一般参数 Other Data				
间距 Pitch [mm]		5.08		
极数 Pole [P]		2-24		
剥线长度 Stripping Length [mm]		7-9		
螺丝 Screw/扭矩 Torque(Max) [N.m]		M2.5/0.4		
工作温度 Operating temperatur [°C]		-40~+105		
引脚尺寸 Pin Dimensions [mm]		-		
PCB板孔径 PCB Hole Diameter [mm]		-		



DES.	FZM	DATE	21.03.13	单位/UNITS	mm	尺寸/SIZE	A4	比例/SCALE	1:1	第三视角/THIRD ANGLE PROJECTION	版本/REV	A
CHK.	SY	DATE	21.03.13	慈溪市科发电子有限公司 CIXI KEFA ELECTRONIC CO., LTD						名称/TITLE	KF2EDGKGHM-5.08	
APP.	CLF	DATE	21.03.13									